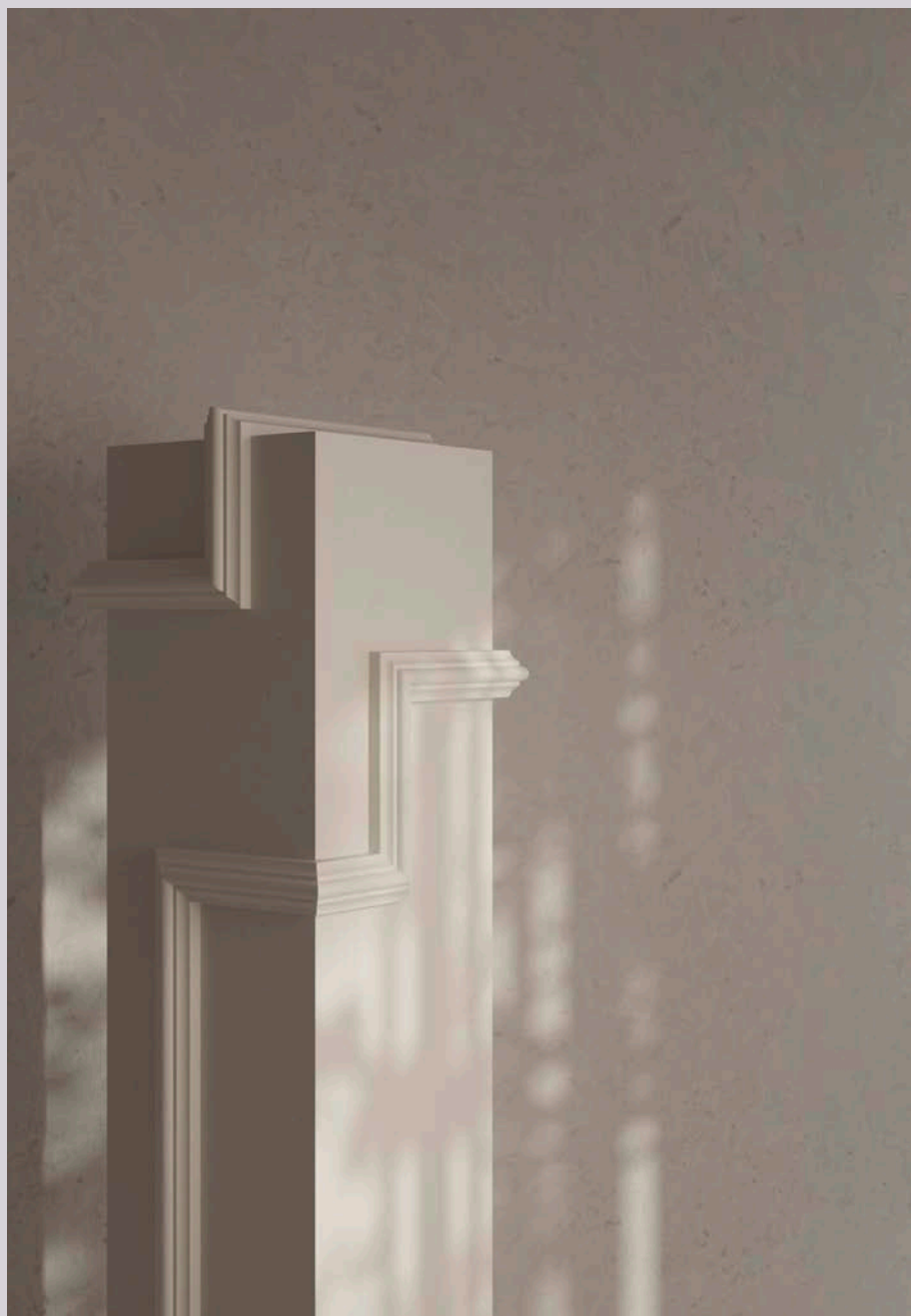




NOËL & MARQUET  
DESIGN ELEMENTS

2

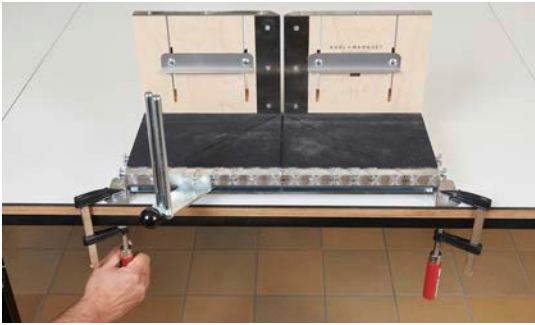


# Chair rails

Installation manual

09-2022

# Chair rails general



## PREPARATION

- The VARIO mitre box can be fixed to the worktop or the staging with the existing aluminium brackets using two clamps (not included).



- Determine the height of the chair rail on the wall and mark the position on the wall using a chalk line or a laser level.



- The position of the chair rail could be determined with the help of the golden section, taking into account the light switches and sockets. The following numbers help: 5 - 8 - 13.
- Divide the wall height by 13, lower part times 5, upper part times 8.
- Example: wall height 260 cm:  $260 \div 13 = 20$ ,  $20 \times 5 = 100$ ,  $20 \times 8 = 160$ , therefore lower part 100 cm, upper part 160 cm.
- The chair rail is mounted on the dividing line.



Inner corner



Outer corner

- Measure the angle of the corner of the wall using the adjustable set-square.



## CUTTING

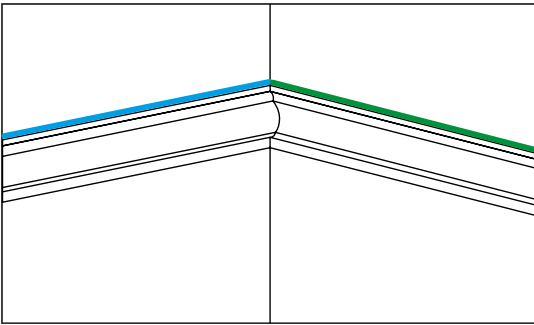
- Place the adjustable set-square flat in the bottom of the mitre box, one side resting against the vertical part of the mitre box.
- Measure the distance between the two ends of the set-square.
- Divide this value by 2 and set the saw guide to the value obtained.
- Ensure that the saw passes through the middle of the adjustment screws, correcting the position as necessary.

**The procedure applies to both corners inside and outside angles (mitre).**

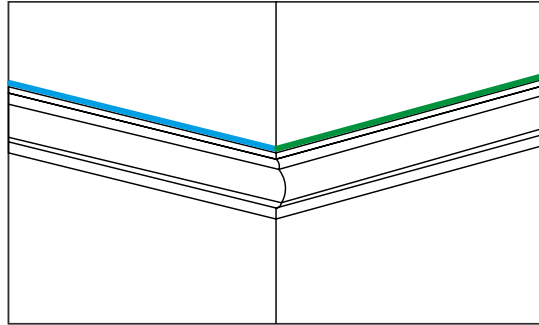


- Cut the chair-rails to size in the mitre box using the ARSTYL®/ WALLSTYL® saw.
- When using an electric mitre saw to cut WALLSTYL® chair rail, the blade must be suitable for synthetic materials.

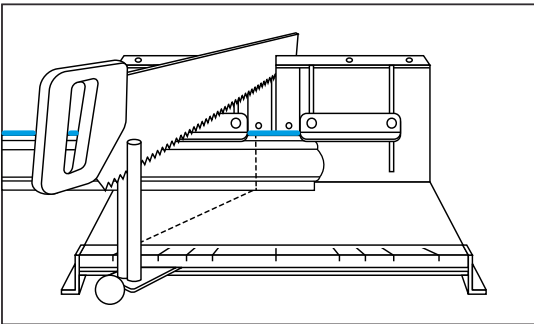
#### INNER CORNER



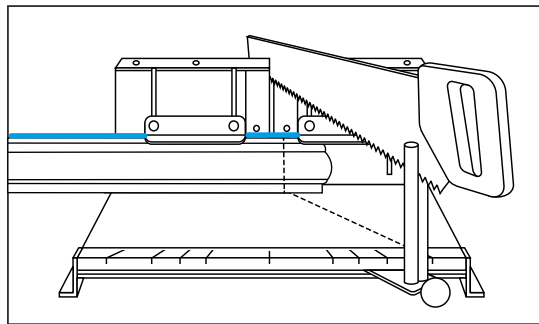
#### OUTER CORNER



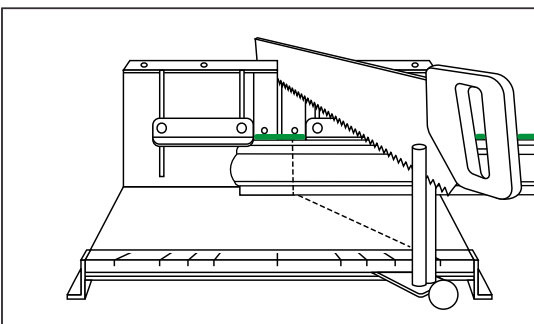
#### INNER CORNER LEFT



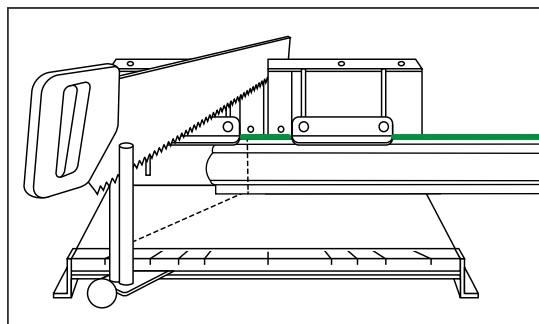
#### OUTER CORNER LEFT



#### INNER CORNER RIGHT



#### OUTER CORNER RIGHT



- Lightly sand the cut edges and the edges of the moulding with fine sandpaper (150 grit or less) or cutter and remove the sawdust with a damp sponge.





## INSTALLATION

- Using a cartridge gun, generously apply the ADEFIX® adhesive in a continuous bead on gluing surfaces (see GLUE CONSUMPTION).



- Position the chair rails against the wall; strengthen their attachment if necessary with steel nails or dots of hot glue.
- WALLSTYL® and ARSTYL® mouldings with a height / span smaller than 8 cm and NOMASTYL® profiles: apply ADEFIX® adhesive to the cuts and corner mitres so that it forms a 3 mm joint.
- WALLSTYL® and ARSTYL® mouldings with a height / span more than 8 cm: apply ADEFIX® PLUS adhesive to the cuts and corner mitres so that it forms a 3 mm joint.

The adhesive should not make a bead when the mouldings are pressed against one another. If necessary, the ADEFIX® PLUS adhesive can be removed cleanly with white spirit.



- Leave the glue to dry (min. 6h) then finish the joints with ADEFIX® adhesive.
- Finish the wall joints as well as the mitre joints with ADEFIX® adhesive.
- Leave to dry (min. 6h). Apply the paint finish during the next 4 weeks (see FINISH).



# Curves for Chair Rails



In the **NOMASTYL®** range, the chair rail and corresponding curve have the same letter.  
**O** can be associated with **O16**.

In the **ARSTYL®** range. The **Z10** chair rail can be associated with the **Z101, Z102, Z103** and **Z104** curves.  
**SP2-5** matched to **SP2; SP3-4** to **SP3**.



## PREPARATION

- Determine the placement of the wall frames.



- Mark the location of the frames on the wall or ceiling;  
if necessary use a spirit level or a plumb line.



## OPTIONS

### CUTTING

- For curves curving towards the inside of the framework, cut the straight sections of curve along the mitre.
- Lightly sand the cut edges with fine emery paper (150 grit or less) or the cutter and remove the dust.



- Adjust and mark the curves on the wall.





## INSTALLATION

- Apply ADEFIX® adhesive to the back of the curve.
- Place and adjust the position of the curve.
- Apply a bead of ADEFIX® adhesive to the mounting surfaces on the back of the chair rail. Glue the mitre (see GLUE CONSUMPTION).



- Place and adjust the position of the chair rail. Adjust the height of the chair rail.
- With ADEFIX® adhesive. Ensure there is still a glue joint with a width of 3 mm in the mitre.
- Place the other curves and chair rails.
- Leave the glue to dry (min. 6 hours) then finish the joints and mitres with ADEFIX® adhesive.
- Leave to dry (min. 6h). Apply the paint finish during the next 4 weeks (see FINISH).



- For curves curved outwards, you can use the factory cut mitres (45°) and possibly provide another additional change of direction.
- For ceiling framing with outside corners, do not use these curves in these corners.



## STOPPING A CHAIR RAIL

- Place the chair rail in the mitre box (lower edge of the chair rail under the sliders).
- Make a cut at 45° above the outer edge of the chair rail (outer mitre cut).



- Make the counter-cut.



- Sand down and dust off the cut edge, then attach the chair rail with adhesive.



**You can also make the elbow using hot glue. This allows the chair rail to be positioned after just a few minutes, without the risk of inaccuracies in the outside mitre.**